

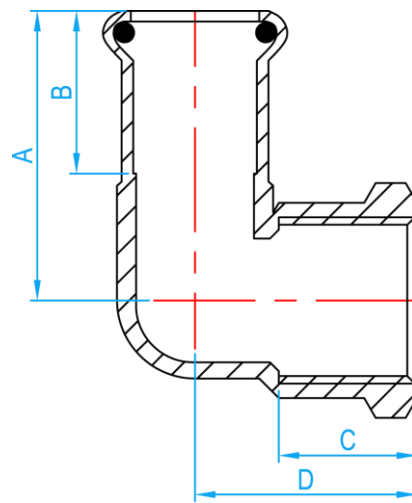
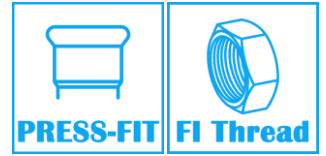
DZR BRASS PRESS FIT FITTINGS



A Product of the nPressGuard® Solution

COMPLY WITH BSEN1254-2:1998

FI ELBOW



CROSS SECTIONAL VIEW

DIMENSIONS

SKU	SIZE (mm)	Ø2 (mm)	A (mm)	B (mm)	C [mm]	D [mm]	WEIGHT (Kg)	PCS/CTN
PFNFIE015	15.3	18.7	35.6	20.0	17.0	27.3	0.072	250